



Rehabilitation Therapy
Nursing Bed
Medical Caks
Pre Hospital Rescue
Supporting Facilities

Electric ICU Bed

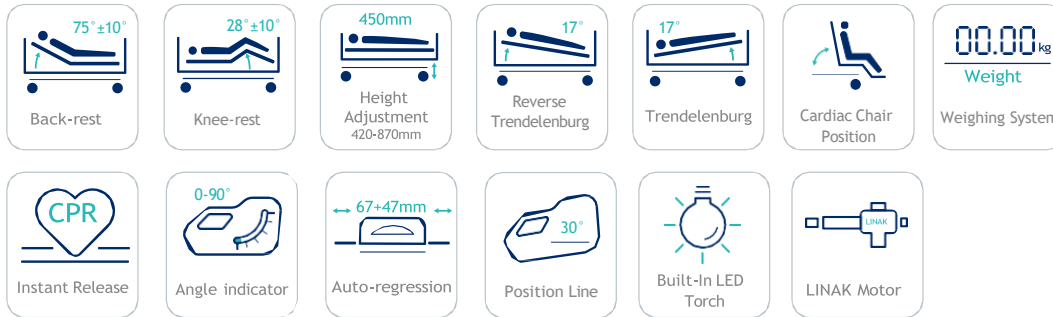
LAVA S

We Provide Customized Overall Solutions
for Medical Equipment

 www.toruscare.com

TORUSCARE

Care for All



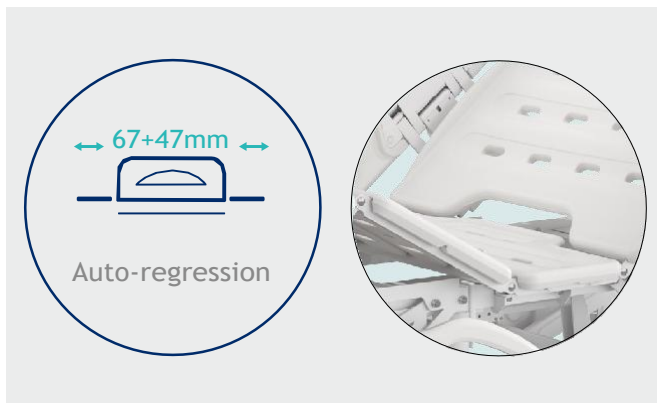
PRODUCT SPECIFICATIONS

External Size (LxW)	2085x1025 mm	Reverse Trendelenburg	0-17° (±2°)
Mattress Platform	1925x900 mm	Trendelenburg	0-17° (±2°)
Safe Working Load	250 kg	Angle Indicator	0-90°
Height Adjustment	420-870 mm	Auto-Regression	67+47 mm
Back-Rest Adjustment	0-75° (±10%)	Position Line	30°
Knee-Rest Adjustment	0-28° (±10%)	Power Supply	110-240 VAC, 50/60 Hz
Bed Extension	20 mm (±10%)	Standard	IEC60601-1-6: 2010+A1: 2013
LINAK Motor		4pcs	
6" Double Side Secure® Castors, Central Locking		4pcs	
PP Platform with Integrated Mattress Retainer		1set	
PP Side Rail with Integrated Control Panel		1set	
PP Bed Ends plug-in type, with safe lock		1set	
Patent Angle Indicator for backrest and Trendelenburg Position		4pcs	
IV Pole 4 hooks		1set	
IV Pole Prevision		4pcs	
Drainage Hook		2pcs	
Central Locking Pedal		2pcs	
Hand Cotroller		1pc	
Nurse Cotroller		1pc	
Back-up Battery			
Cardiac Chair Position			
Electric CPR			
Manual CPR			
Auto Break at 30°			
Emergency Stop Button			
Night Light			
Cassette Holder (Backrest)			
4 sectional bed frame			
Trapeze Socket			
Weighing system			

DUAL RETRACTION PATENTED DESIGN INNOVATIVE 67+47 mm

Pressure ulcers, or bedsores, result from prolonged pressure and friction on skin and underlying tissues.

- The dual retraction feature in a medical bed extends and distributes pressure evenly, reducing pressure concentration on the pelvic area.
- This design enhances patient comfort and prevents pressure ulcer occurrence proactively.
- The patented feature is applied to the backrest and thigh rest, retracting them by 67mm and 47mm respectively.
- Retracting these components extends the bed surface in the pelvic area, alleviating pressure and shear forces, thus minimizing pressure ulcer risk.
- The innovative design prioritizes patient well-being and offers a proactive solution for pressure ulcer prevention.



SOLID YET LIGHT MATTRESS PLATFORM

Integrated PP bed platform, adopting advanced manufacturing technology.

4-5 section platform, enables independent installation and easy maintenance.

Inlarge the area of the seat panel when back part is raised, providing more comforts for the patients.

The seat compensation part reduces sponge depression on the seat panel.

The bed is equipped with mattress retainer all around the board, so that the mattress will not easily slide off.



X-RAY EXAMINATION WITHOUT MOVING THE PATIENT

Wide area of radiotransparency. The PP radiotransparent backrest has an X-Ray cassette holder for chest x-ray examinations, without moving the patient and at any angle of the backrest.

The X-ray tray holder fixed at the back section, easy for X-ray cassette film horizontally put out & put in, to avoid patient movement.



ADVANTAGES FOR NURSING CARE

Tuck away side rail with buffer.

Built-in controller in the head guardrail, allowing the patient to adjust the basic position of the bed easily.

Integrated handle facilitates the patients to get up/off the bed.



SIDE RAIL

Just one-hand operation required to effortlessly release and lower the split safety siderail.

All it takes for the patient to get in and out of bed unhindered is to lower one safety siderail element in the centre of the bed.



BACKREST 30-DEGREE SMART STOP

Backrest 30-degree smart stop: The clinically recommended position for preventing respiratory complications. Research shows that the 30-degree position significantly reduces the risk of lung infections.

EASY OPERATION USING THE CONTROL PANEL “LIGHT”

Staff and patients benefit from the tailor-made convenience and care functions that are available on either side of the "light"-version control panel. The panel can be integrated in the split safety sides if required.



EASY BED ADJUSTMENT WITH THE “CONTROL PANEL LIGHT”VERSION

The “control panel light” version is always within easy reach of patients. The straightforward adjustment options are easy to understand even for people with cognitive impairment.

The “light”-version control panel is always at eye level for the patient.



NURSE CONTROL

The nurse control panel features a flexible spiral cable, allowing easy and flexible movement to operate the bed in the optimal position. The nurse can control all standard functions and various one-touch automatic positions, including the cardiac chair position.



OPERATION WITH ERGONOMIC HANDSET

The function keys with a dark blue background are easy to understand in any situation.



The intuitive handset is available for both types of safety side and can always be attached conveniently and within easy reach.



The ergonomic handset with its intuitive symbols seems familiar to every patient straight away and creates a positive feeling of reassurance.



The lowest height position minimises the rate of fall in the event of any fall. This significantly reduces the risk of injury.



The split safety side element at the head end acts as a mobilisation support to help the patient get out of bed.



QUICK EMERGENCY ADJUSTMENTS

The orange emergency buttons on the outer side of the “light”-version control panel enable staff to act quickly without taking their eyes off the patient.



The CPR position can be set even faster using the mechanical emergency lever under the mattress base.



The headboard and footboard can be unlocked and removed without tools to allow improved access to the patient.

LG Chem fresh PP material, plug in type.

Equipped with the bumpers wheel, diameter 65mm, preventing collision.



One button stop, prevent the maloperation.



Back up battery, 18 times movement with 100kg bearing, 130 times movement without bearing.



MOVE THE PATIENT SAFELY AND EFFORTLESSLY

Its compact dimensions make it ideal for use in multi-bed rooms. Good maneuverability is crucial to facilitate the work of staff and prevent collisions. The modern castors make the bed easy to move, while an optional fifth castor facilitates maneuvering around tight corners.



6-inch central locking double-sided castors. TPR tire no worn out after running 10 km.

Anti-winding hard shell cover, united forming without bolts.

Pass dynamic test: Successfully pass 40,000 obstacle tests without deformation, under the standard 200kg load of the entire bed.

1-speed unlock; 1-speed universal, 1-speed directional.

Equipped with the bumpers wheel, diameter 65mm, preventing collision.



SAFE HYGIENE

No inaccessible recesses in the headboard or footboard and safety sides..



Level mattress base with easy to remove plastic cover.



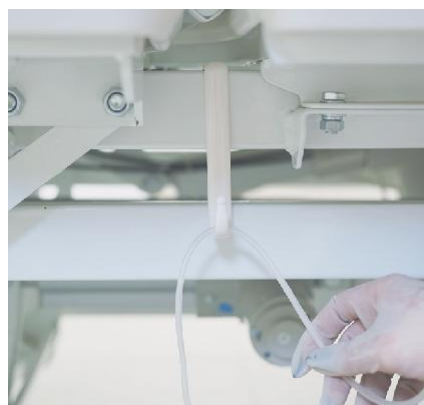
Tidy cable routing.



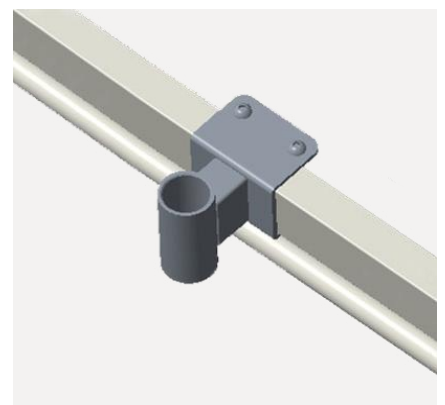
SS IV pole, bearing 15kg.



Plastic drainage hooks, movable.



Trapeze Bracket



PATIENT WEIGHT UNDER CONTROL AT ALL TIMES

The exclusive weighing system was designed to guarantee a high level of precision independently from the mattress platform's position.

Thanks to the 4 sensors located at the corners of the bed, the load is better distributed and the reading level more accurate.

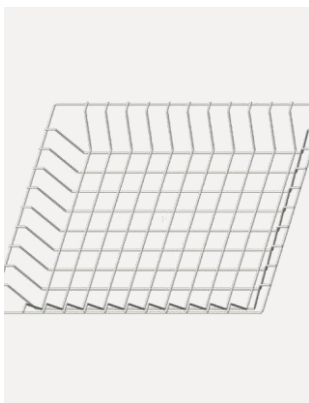
The under bed light helps patients by lighting their way around the room at night.



OPTIONS

Utility Shelf

Detachable utility shelf for patients' personal stuff.



Trapeze Pole

32mm dia heavy duty trapeze pole.



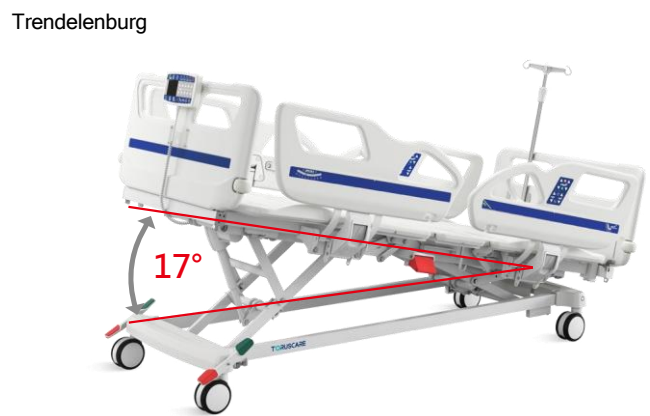
Mechanical Lever



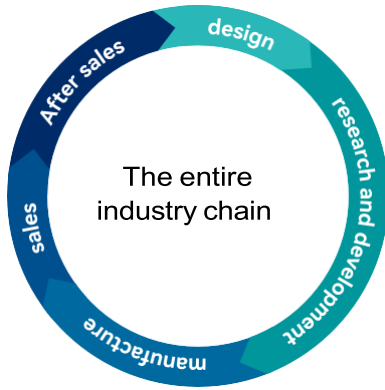
Oxygen Cylinder Holder



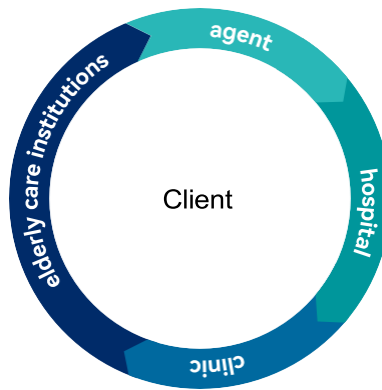
POSTURE FUNCTION



Comprehensive Hospital Design Solutions



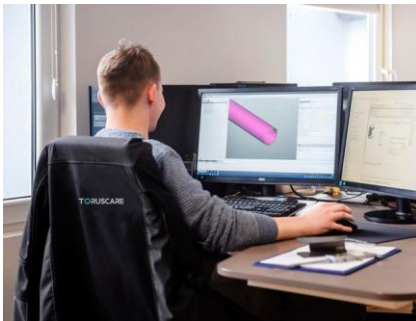
Toruscare has a complete industry chain targeting the global market.



Toruscare provides overall healthcare solutions.



Toruscare provides services for full coverage of target audiences.



Design and Development Excellence

At Toruscare, our strength lies in our robust design and development capabilities. Our dedicated team of engineers and designers continually push the boundaries of innovation, ensuring that our products are at the forefront of medical technology. From conceptualization to prototyping, we meticulously craft each product to meet the highest standards of functionality, durability, and ease of use.



Uncompromising Quality Control

Toruscare is deeply committed to quality, implementing stringent control measures at every manufacturing stage. Our state-of-the-art facilities, equipped with advanced testing and inspection tools, ensure each product meets rigorous standards. This dedication to excellence has earned the trust and loyalty of healthcare providers worldwide.



Global Reach, Local Touch

As a global company, Toruscare understands the diverse needs of different markets. We pride ourselves on our ability to deliver customized solutions that cater to the unique requirements of healthcare providers across the world. Our extensive distribution network and strategic partnerships ensure timely delivery and exceptional after-sales support, making us a trusted partner in the global healthcare community.



Care for All

TORUSCARE

Toruscare Sp. z o.o

Adress: UL. SPACEROWA 1C, 41-253 CZELADŹ, POLAND

Email: expofi@toruscare.com

Phone: +351 910200400